



A Tsurumi Pump Company

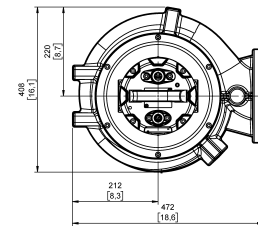
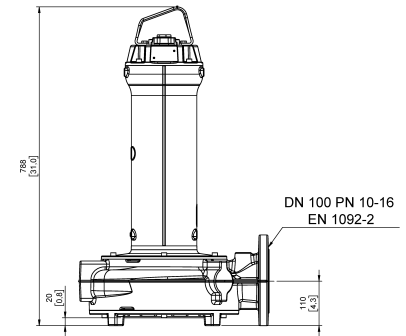
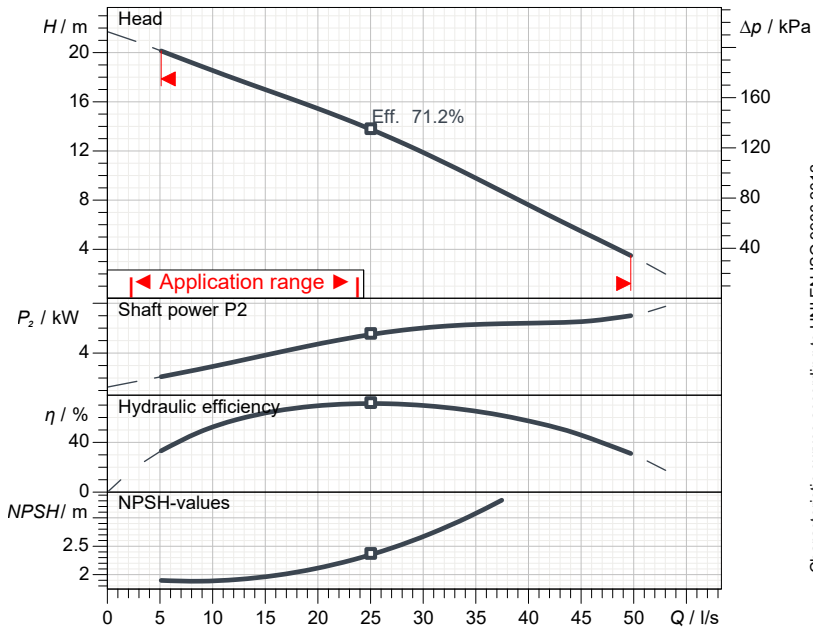
# Data sheet

## CTG 750/4/100 A0FT5



**GREY**  
series

### Technical specification



[ mm (inch) ]

3~ 50 Hz

#### Pump

Series	GREY series
Type	CTG 750/4/100 A0FT5
Version	TS 10 400D EX NN GS
ATEX mark	II 2G Ex db h IIB T4 Gb
ATEX Certificate No.:	EPT 19 ATEX 3283 X
IECEX mark	Ex db h IIB T4 Gb
IECEX Certificate No.:	IECEX EUT 20.0008X

#### Operating limits (standard pumps)

Max. ambient temperature	40 °C
Max. density treated liquid	1100 kg/m <sup>3</sup>
pH treated liquid	6 ÷ 14
Max. start per hour (equally distributed)	20
Wet/dry use	WET
Max. acoustic pressure level	70 dB
Operating mode*	Continuous use - S1 Discontinuous use (excluding FM models) S3 = 15%

\*check the minimum operating level on dimensional drawing page

#### Motor data

Rated voltage	400 V
Frequency	50 Hz
Motor phases	3~
Number of poles	4
Rated power P <sub>2</sub>	5.50 kW
Incoming power P <sub>1</sub>	6.38 kW
Rated current	11.9 A
rpm	1432 1/min
Efficiency	86.2 %
cos φ	0.778
Rated torque	36.7 Nm
Start	Direct starting
Starting current	72.3 A
Starting torque	110.0 Nm
Degree of protection	IP 68
Insulation class	H
Run capacitor (CR)*	-
Startup capacitor (CS)*	-

\* CR and/or CS included, with connections to be made in the electrical panel

#### Construction materials

Case	Cast iron EN-GJL 250
Shaft	Stainless steel AISI 431
Hydraulic	Cast iron EN-GJL 250
Impeller	Cast iron - EN-GJS 600
Painting/Coating	Bi-epoxy 200 μm sea water resistant
Screws	Stainless steel - Class A2-70
Gaskets	NBR

#### Construction features

Cooling system	-
Main cable	4G1,5 + 3x1
Cable length	10 mt
Mechanical seals	2 in silicon carbide (2SiC)
Additional drilling	-
Weight*	149.2 kg
Electrical variant	Thermal protection and leakage sensor

\* cable and fixing system excluded

#### Hydraulic

Free passage	36 mm
Impeller type	Open channel impeller with cutting system
Max. hydraulic efficiency	71.2 %
Suction	DN 150 UNDRILLED
Discharge	DN 100 EN 1092-2



A Tsurumi Pump Company

# Data sheet CTG 750/4/100 A0FT5

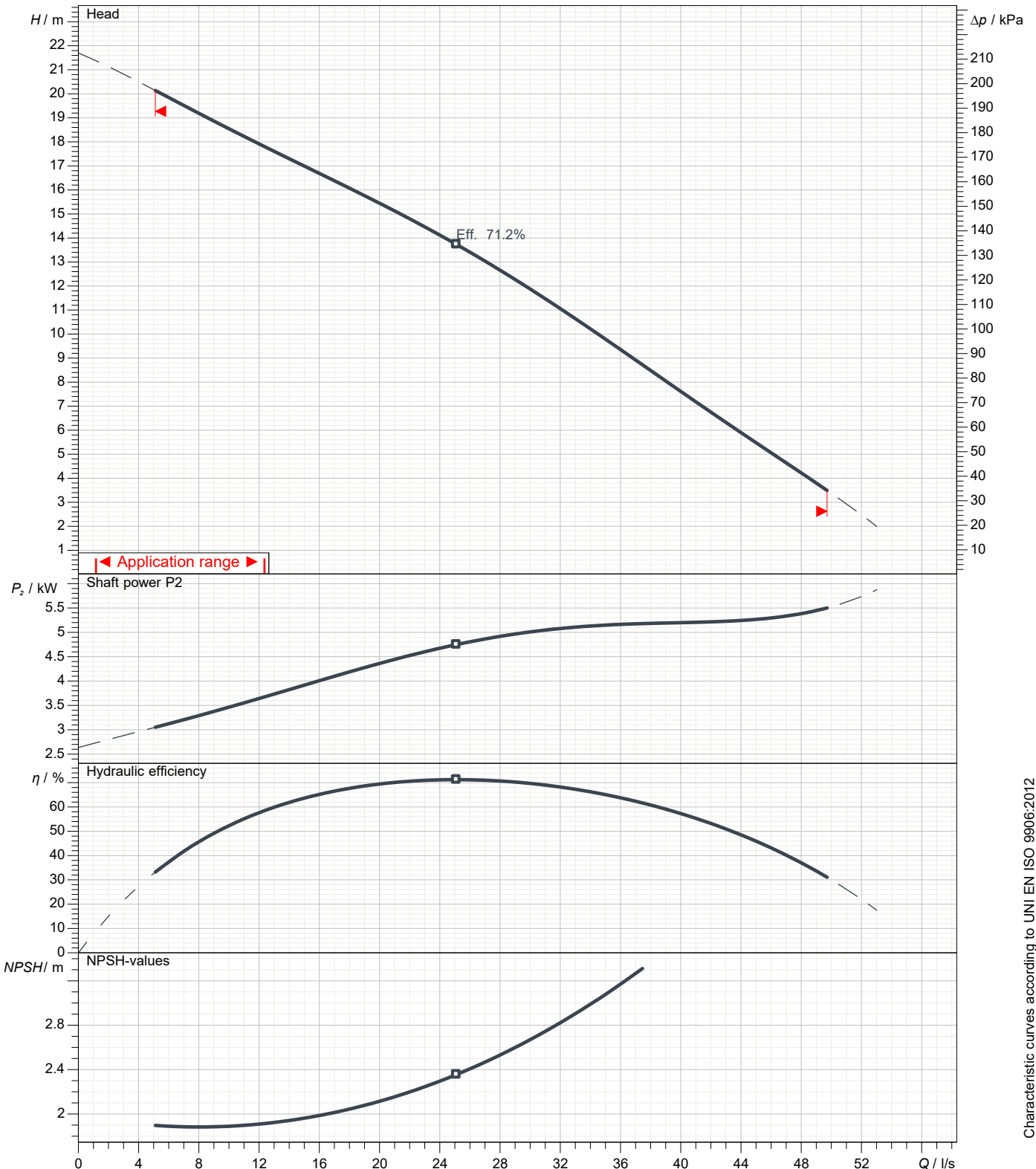


GREY  
series

## Pump performance curves

3~ 50 Hz

<b>Impeller type</b> Open channel impeller with cutting system		<b>Free passage</b> 36 mm	<b>Discharge</b> DN 100	<b>Suction</b> DN 150	
<b>DUTY POINT</b>					
<b>Flow</b>	<b>Head</b>	<b>Shaft power P2</b>	<b>Hydraulic efficiency</b>	<b>Density</b> 998.3 kg/m <sup>3</sup>	<b>Viscosity</b> 1.005 mm <sup>2</sup> /s



Characteristic curves according to UNI EN ISO 9906:2012  
P2<10kW: paragraph 4.4.2  
10kW<P2<100kW: Grade 3B  
P2>100kW: Grade 2B



A Tsurumi Pump Company

# Data sheet CTG 750/4/100 A0FT5

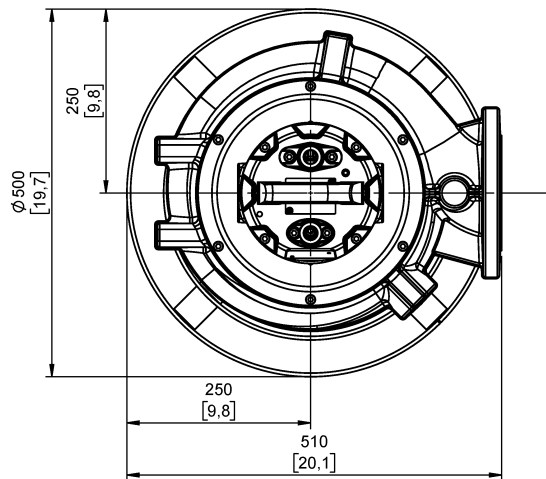
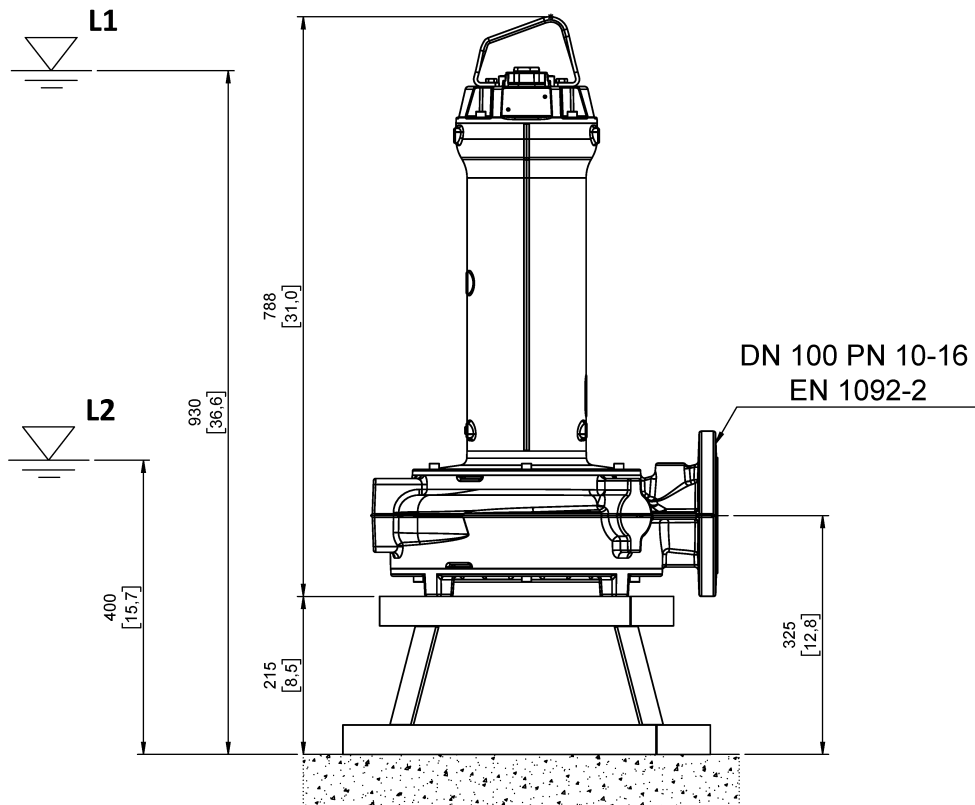


GREY  
series

## Dimensional drawing

3~ 50 Hz

<b>Installation type</b> Installation with base plate		
<b>Wet/dry use</b> WET	<b>Drilling variant</b>	<b>Flushing valve - drilling</b> -
<b>Discharge</b> DN 100 EN 1092-2	<b>Suction</b> DN 150 UNDRILLED	<b>Pressure rating (suction/discharge):</b> -/PN 10
<b>Accessory</b> KBS 4F I345 LW [AZ] (S)		<b>Accessory code</b> 9024.091
<b>Note: Accessory must be ordered separately</b>		



[ mm  
[inch]

L1: Minimum operating level for S1 - continuous use

L2: Minimum operating level for S3 - discontinuous use (excluding FM models)